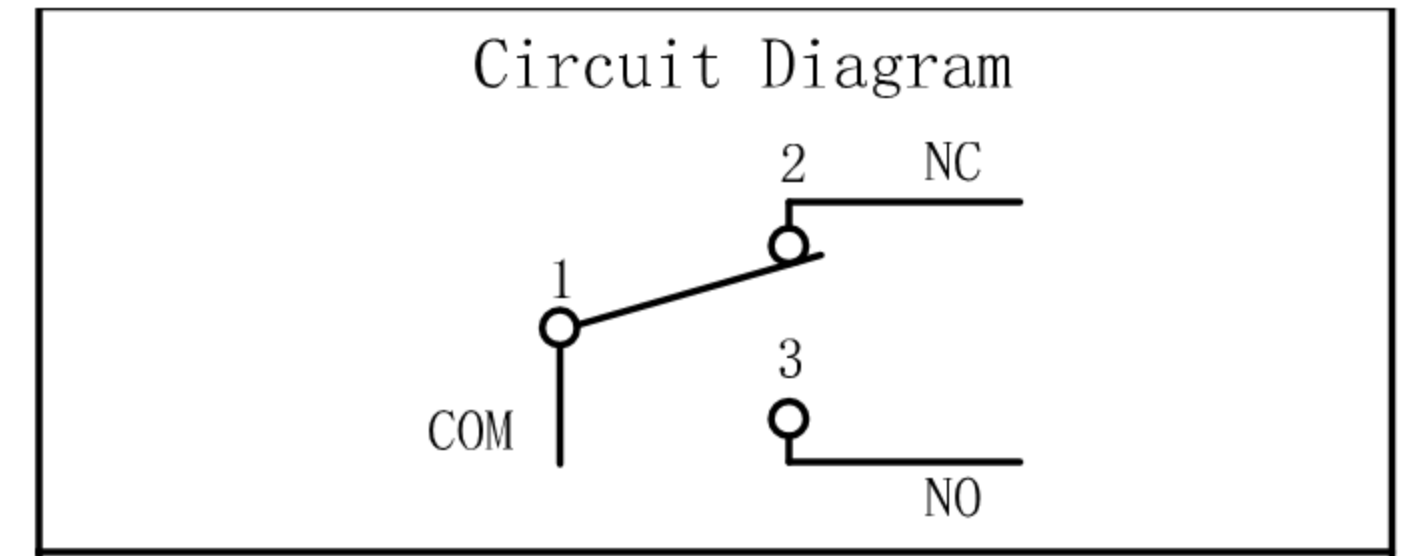
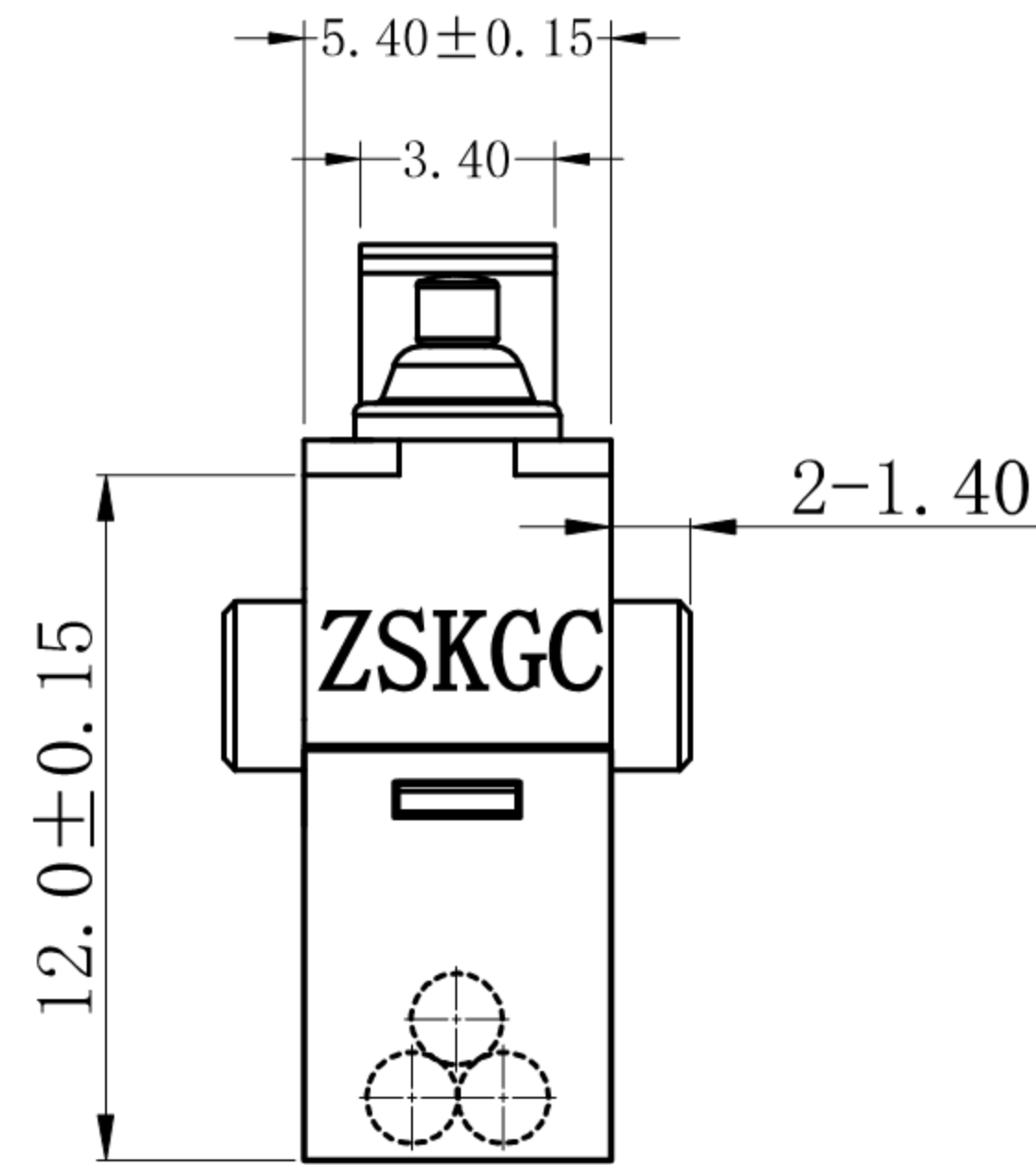
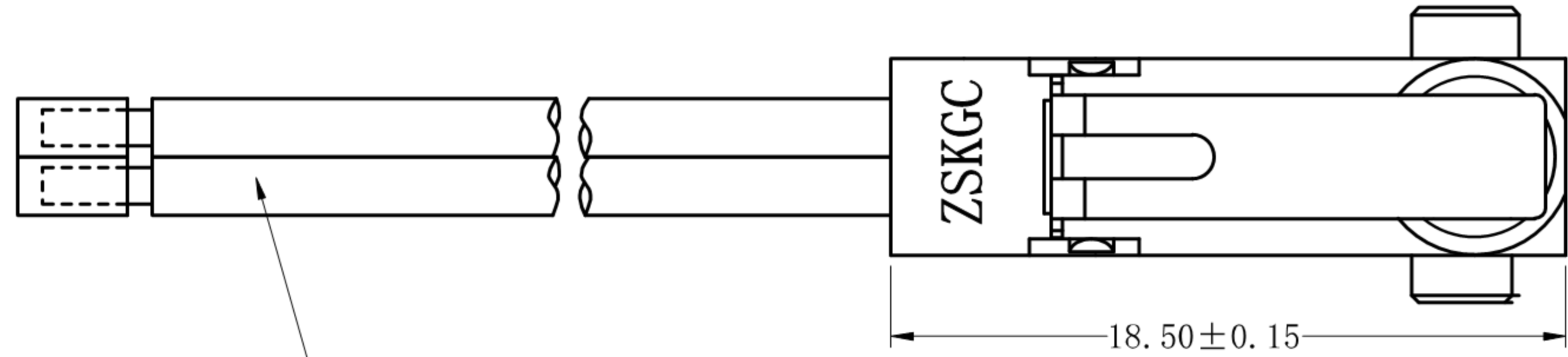


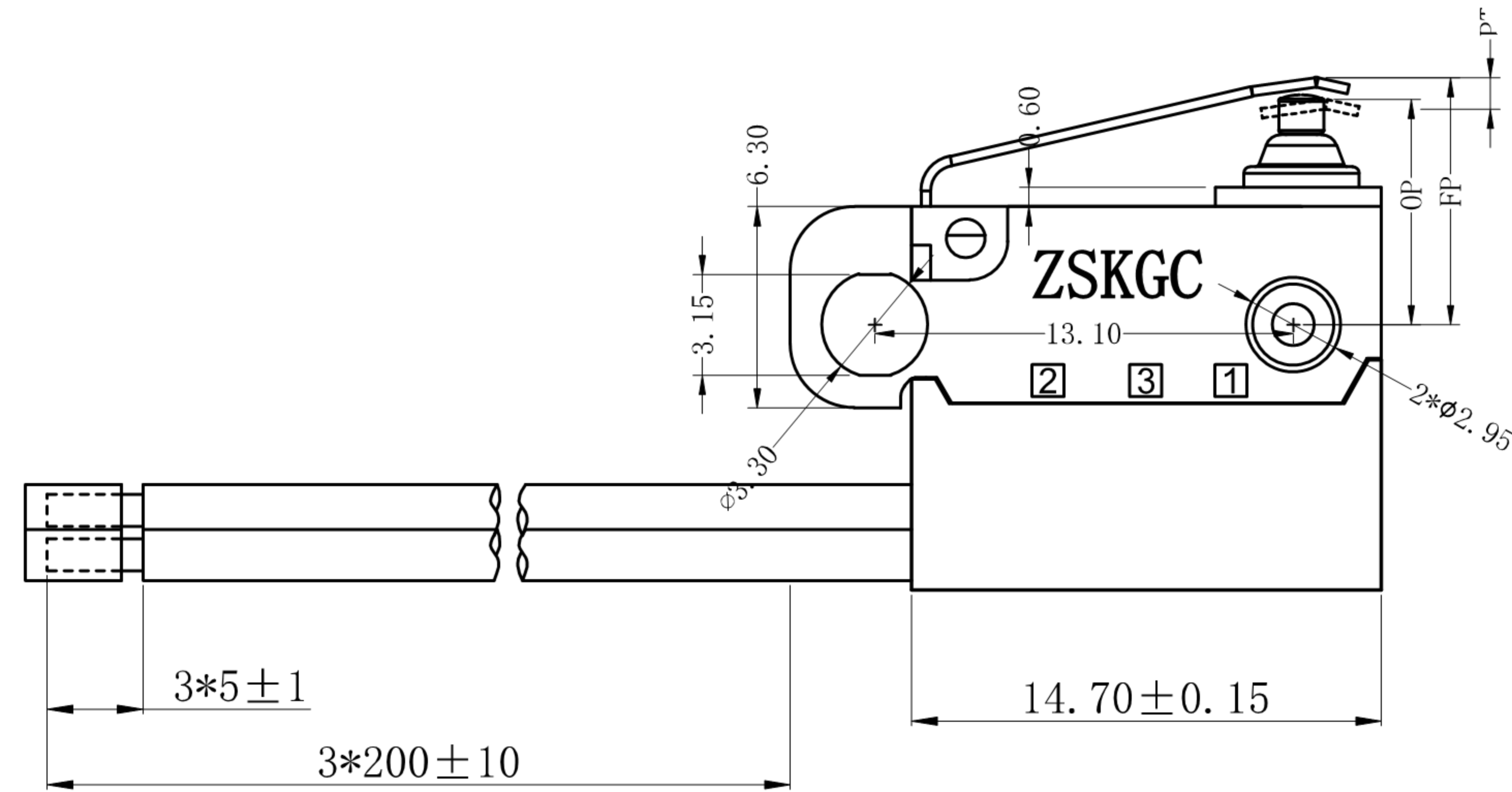


Waterproof grade:IP67



ELECTRICAL DATA	
RATING	OPERATING LIFE
3A 12VDC	100,000 CYCLES
0.1A 48VDC 125/250VAC	100,000 CYCLES

MECHANICAL LIFE	500,000 CYCLES
GAP TYPE	MICRO
OPERATING TEMP	-25°C ~ +85°C
WATERPROOF	IP67



备注:
COM: 黑色线
NO: 蓝色线
NC: 灰线

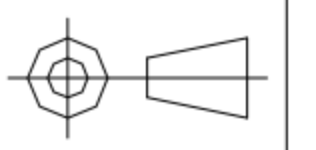
CHARACTERISITICS	
OPERATING FORCE (OF) :	220gf Max.
RELEASE FORCE (RF) :	30gf Min.
OPERATING POSITION:	7.1 ± 0.5 mm.
PRE TRAVEL:	3.0mm Max.
DIFFERENTIAL TRAVEL:	0.5mm Max.
FREE POSITION:	9.4mm Max.



東莞市高迪電子有限公司
DONG GUAN GAO DI ELECTRONICS CO., LTD

TOLERANCE UNLESS OTHERWISE STATED:
Up to 5 ±0.2
Above 5 ~ 15 ±0.3
Above 15 ~ 30 ±0.4
Above 30 ~ 50 ±0.5
Angle ±0.3°

3RD. ANGEL'S



UNITS MM

DRAWN BY: DATE
Ming Ming Zou 07/23/13
CHECKED BY: DATE
Ning Ning Su 07/23/13
APPROVED BY: DATE
Jia Xiang 07/23/13

MAT'L
FINISH
SCALE 1:1
SHEET NO. 1 of 1

TITLE Waterproof micro movement
MODLE Waterproof micro movement
DWG NO. GD-H3-B1
PART NO.

SIZE A4
VER R2

ITEM NO.	DESCRIPTION	DRAWN	DATE
2	公差及料號更新	Jack	072313
1	圖面更新	Frank Wu	021012